

# Union LED Sconce

UN1 Single Sconce  
UN12 Double Sconce

Project Name \_\_\_\_\_

Fixture Type \_\_\_\_\_

Quantity \_\_\_\_\_



## CITY LED Series

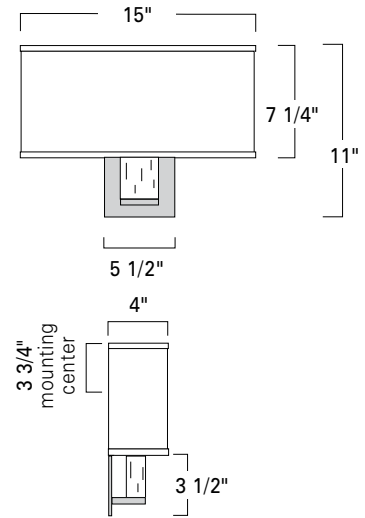


Union Double Sconce  
UNI2-WM-BAMH-CS

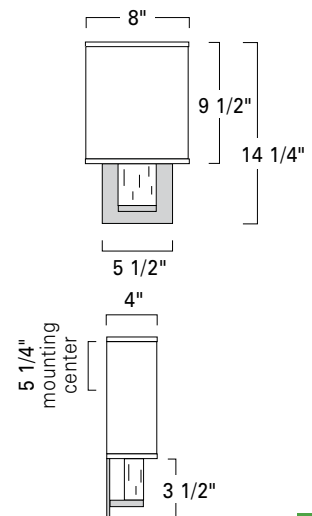


Union Single Sconce  
UNI1-WM-BAEB-CS

UNI2



UNI1



LED- ADA

Product Name / Model / Dimensions	Mounting Options	Diffuser Options	Finish Options	Lamping Options																								
Union Single Sconce / UNI1 Union Double Sconce / UNI2  <table border="1"> <thead> <tr> <th>Series</th> <th>Height</th> <th>Width</th> <th>Projection</th> </tr> </thead> <tbody> <tr> <td>UNI1</td> <td>14.25"</td> <td>8.00"</td> <td>4"</td> </tr> <tr> <td>UNI2</td> <td>11.00"</td> <td>15.00"</td> <td>4"</td> </tr> </tbody> </table> <table border="1"> <thead> <tr> <th colspan="4">Shipping dims and weight</th> </tr> </thead> <tbody> <tr> <td>18 x 18 x 12</td> <td>9 lbs</td> <td></td> <td></td> </tr> <tr> <td>14 x 14 x 14</td> <td>6 lbs</td> <td></td> <td></td> </tr> </tbody> </table>	Series	Height	Width	Projection	UNI1	14.25"	8.00"	4"	UNI2	11.00"	15.00"	4"	Shipping dims and weight				18 x 18 x 12	9 lbs			14 x 14 x 14	6 lbs			<b>Standard</b> Wall Mount / WM	<b>Standard</b> Cream Linen Shade / CS	<b>Standard</b> Brushed Aluminum + Ebony / BAEB Brushed Aluminum + Mahogany / BAMH Polished Aluminum + Ebony / PAEB Polished Aluminum + Mahogany / PAMH  <b>Premium</b> Brushed Aluminum / BA Polished Aluminum / PA	<b>Standard</b> UNI2 LED / LED 2592lm 3000K CCT, 80 CRI 36 Watts; 120v - 277v ELV dimmable (must specify 277v) <b>Optional</b> Incandescent / IN (2) 60W max candelabra E12  <b>Standard</b> UNI1 LED / LED 1296lm 3000K CCT, 80 CRI 22 Watts; 120v - 277v ELV dimmable (must specify 277v) <b>Optional</b> Incandescent / IN (1) 60W max candelabra E12  Junction box behind shade
Series	Height	Width	Projection																									
UNI1	14.25"	8.00"	4"																									
UNI2	11.00"	15.00"	4"																									
Shipping dims and weight																												
18 x 18 x 12	9 lbs																											
14 x 14 x 14	6 lbs																											

Dry Location Rated and UL/ETL Listed

Note: All finishes are now powder coat

3-2022

**DISCLAIMER:**

ILEX Architectural Lighting reserve the right to change specifications related to its product at anytime. USA Made indicates product is manufactured in Michigan facility. Phone: 269-247-1252

0083ILEX