

**Temple 6 Arm Pendant**  
TMP6

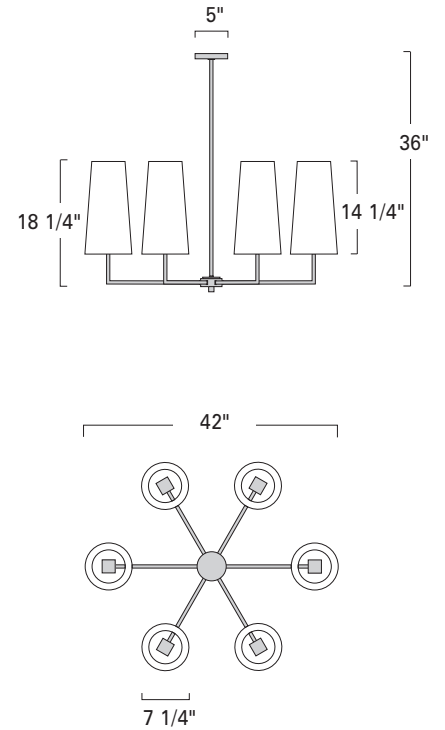
Project Name \_\_\_\_\_

Fixture Type \_\_\_\_\_

Quantity \_\_\_\_\_



TMP6



Temple Sconce  
TMP6-SB-CS



Temple Quad  
Pendant  
TQP



Temple Sconces  
TEM & TEM2

| Product Name / Model / Dimensions |             |        |               |           | Mounting Options                    | Diffuser Options                                 | Finish Options  | Lamping Options   |
|-----------------------------------|-------------|--------|---------------|-----------|-------------------------------------|--|---|---|
| Temple 6 Arm Pendant / TMP6       |             |        |               |           | <b>Standard</b><br>Single Stem / SS | <b>Standard</b><br>Cream Shantung<br>Fabric / CS | <b>Standard</b><br>Architectural Bronze / AB<br>Polished Brass / PB<br>Satin Brass / SB<br><br>Premium<br>Brushed Nickel / BN<br>Polished Nickel / PN | <b>Standard</b><br>Incandescent / IN<br>(1) 75W max medium<br>base Edison |
|                                   | Body Height | Width  | Shades Height | OA Height |                                     |  |   |   |
| TMP6                              | 18.25"      | 42.00" | 14.25"        | 36.00"    |                                     |  |   |   |

\*Approximate hanging weight 30lbs max

Note: All finishes are now powder coat

7-2021

Dry Location Rated and UL/ETL Listed

**DISCLAIMER:**

ILEX Architectural Lighting reserve the right to change specifications related to its product at anytime. USA Made indicates product is manufactured in Michigan facility. Phone: 269-247-1252