

Poehlmann Ring Pendant
PRP

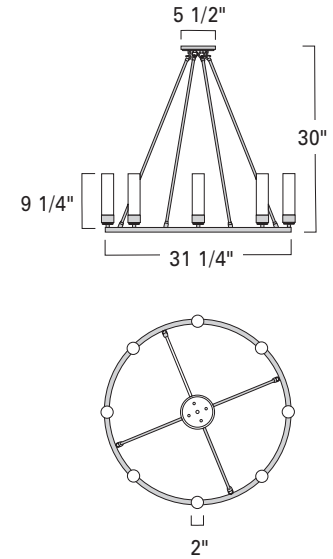
Project Name _____

Fixture Type _____

Quantity _____

I L E X _____

PRP



Poehlmann Ring Pendant
PRP-TU-BN-SH

HAL

Product Name / Model / Dimensions	Mounting Options	Diffuser Options	Finish Options	Lamping Options				
Poehlmann Ring Pendant/ PRP <table border="1"> <tr> <td>Diameter</td> <td>OA Height</td> </tr> <tr> <td>31.25"</td> <td>30.00"</td> </tr> </table>	Diameter	OA Height	31.25"	30.00"	Standard Tubing / TU	Standard Splashed Opal / SO Shiny Opal / SH Option Matte Opal / MO	Standard Architectural Bronze / AB Polished Brass / PB Satin Brass / SB Premium Brushed Nickel / BN Polished Nickel / PN	Standard Incandescent / IN (8) 60W max candelabra Optional Halogen / HA (8) 50W max E11 minican
Diameter	OA Height							
31.25"	30.00"							

Note: All finishes are now powder coat

9-2020

Dry Location Rated and UL/ETL Listed

DISCLAIMER:

ILEX Architectural Lighting reserve the right to change specifications related to its product at anytime. USA Made indicates product is manufactured in Michigan facility. Phone: 269-247-1252

0069ILEX