

Lexington Sconce LED
LEX2

Project Name _____

Fixture Type _____

Quantity _____

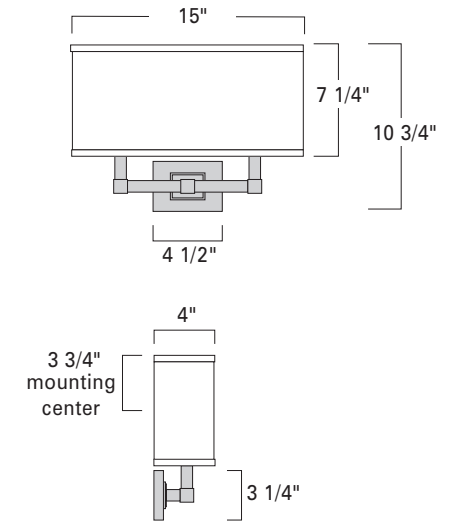


Lexington Double Sconce
LEX2-WM-CS-PN



Lexington Double Sconce
LEX2-WM-CS-AB

LEX2



The City Series ADA products are available in a variety of styles and finishes.



Product Name / Model / Dimensions	Mounting Options	Diffuser Options	Finish Options	Lamping Options						
Lexington Double Sconce / LEX2	Standard Wall Mount / WM	Standard Cream Linen Shade / CS Junction box behind shade	Standard Architectural Bronze / AB Polished Brass / PB Satin Brass / SB Premium Brushed Nickel / BN Polished Nickel / PN	Standard LED / LED 2592lm 3000K CCT, 80 CRI 36 Watts; 120v - 277v ELV dimable (must specify 277v) Optional Incandescent / IN (2) 60W max candelabra E12						
<table border="1"> <thead> <tr> <th>Height</th> <th>Width</th> <th>Projection</th> </tr> </thead> <tbody> <tr> <td>10.75"</td> <td>15.00"</td> <td>4.00"</td> </tr> </tbody> </table>	Height	Width	Projection	10.75"	15.00"	4.00"				
Height	Width	Projection								
10.75"	15.00"	4.00"								

Note: All finishes are now powder coat

10_2020

Dry Location Rated and UL/ETL Listed

DISCLAIMER:

ILEX Architectural Lighting reserve the right to change specifications related to its product at anytime. USA Made indicates product is manufactured in Michigan facility. Phone: 269-247-1252

0058ILEX