

# Hatbox 48" Rectangle Pendant

HREP48

Project Name \_\_\_\_\_

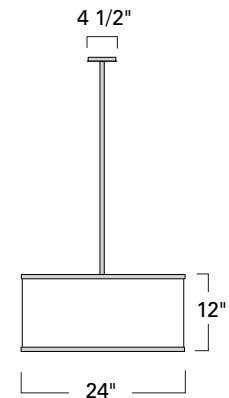
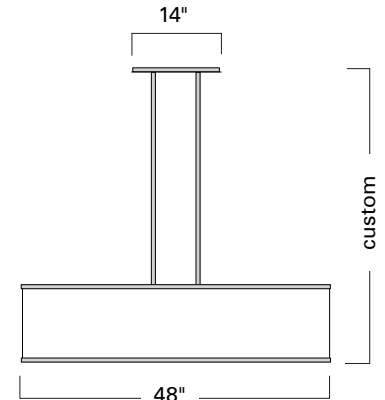
Fixture Type \_\_\_\_\_

Quantity \_\_\_\_\_



Hatbox Rectangle 48" length  
Double Stem Pendant  
HREP48-DS-BN-AC

HREP48



Additional Hatbox Series



Hatbox Round Pendants  
and Flush Mounts  
16, 24 and 30"



Hatbox Square Pendants  
and Flush Mounts  
16, 24 and 30"



Hatbox Round  
Sconce

LED

Product Name / Model / Dimensions	Mounting Options	Diffuser Options	Finish Options	Lamping Options						
Hatbox 48" Rectangle Pendant / HREP48  <table border="1"> <tr> <td>Body Height</td> <td>Length X Width</td> <td>OA Height</td> </tr> <tr> <td>12.00"</td> <td>48.00" X 24.00"</td> <td>Custom</td> </tr> </table> Canopy 14" X 4 1/2" Custom sizes available contact factory	Body Height	Length X Width	OA Height	12.00"	48.00" X 24.00"	Custom	<b>Standard</b> Double Stem / DS  <b>Optional</b> Quad Stem / QS	<b>Standard</b> Shiny Opal Acrylic / AC  <b>Fabric Diffuser</b> Navy Blue / NB Burlap White / BW Textured White / TW Textured Cream / TC	<b>Standard</b> Architectural Bronze Powder Coat / ABPC Architectural Bronze / AB Brushed Aluminum / BA Matte Black / MB Polished Aluminum / PA Polished Brass / PB Satin Brass / SB  <b>Premium</b> Brushed Nickel / BN Polished Nickel / PN	<b>Standard</b> Incandescent / IN (8) 75W max Edison  LED / LED 15000lm, 3000K CCT, 80CRI 122 Watts, 120-277v, 0-10VDC Dimming, 1%
Body Height	Length X Width	OA Height								
12.00"	48.00" X 24.00"	Custom								

Dry Location Rated and UL/ETL Listed

Note: All finishes are now powder coat

6\_2020

DISCLAIMER:

ILEX Architectural Lighting reserve the right to change specifications related to its product at anytime. USA Made indicates product is manufactured in Michigan facility. Phone: 269-247-1252

0054ILEX