

# Chroma Extension Tilt

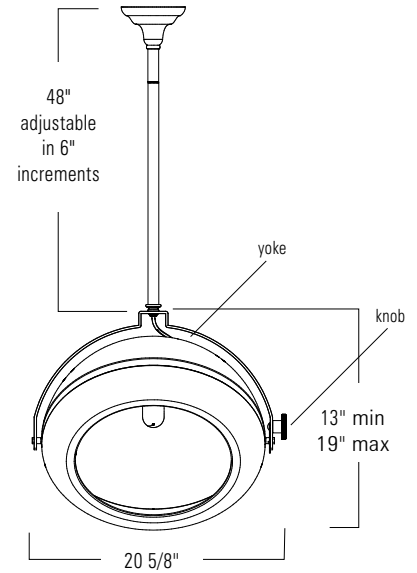
CHRT

Project Name \_\_\_\_\_

Fixture Type \_\_\_\_\_

Quantity \_\_\_\_\_

# I L E X —



CHRT Chroma Tilt Pendant  
 Architectural Bronze Powder Coat / ABPC  
 Yoke Matte Black Powder Coat / MBPC  
 Knob shown in Satin Brass / SB

IN

Product Name / Dimensions	Mounting Options	Dome Finish Options	Lamping Options						
<p><b>Chroma Tilt Pendant / CHRT</b></p> <table border="1"> <tr> <td>Body Height</td> <td>Width</td> <td>Overall Height</td> </tr> <tr> <td>12 1/2"</td> <td>20 5/8"</td> <td>67" maximum</td> </tr> </table>	Body Height	Width	Overall Height	12 1/2"	20 5/8"	67" maximum	<p><b>Standard</b>                      Single Stem / SS</p>	<p><b>Standard</b>                      Architectural Bronze Powder Coat / ABPC                      Polished Aluminum / PA                      Brushed Aluminum / BA                      Matte Black Powder Coat / MB  <b>Metal Knob Finish</b>                      Brushed Nickel / BN                      Satin Brass / SB  <b>Standard</b>                      Stem, Canopy and Yoke                      Matte Black / MB ONLY</p> <p><b>Premium</b>                      Custom Colors</p>	<p><b>Standard</b>                      Incandescent / IN                      (1) 150W max                      medium base Edison</p>
Body Height	Width	Overall Height							
12 1/2"	20 5/8"	67" maximum							

Dry Location Rated and UL/ETL Listed

Note: All finishes are now powder coat

REV 5- 2020

**DISCLAIMER:**

ILEX Architectural Lighting reserve the right to change specifications related to its product at anytime. USA Made indicates product is manufactured in Michigan, facility. Phone: 269-247-1252

0014ILEX