

Bryant Park LED

BPK1 Single Sconce
BPK2 Double Sconce

Project Name _____

Fixture Type _____

Quantity _____



CITY LED Series

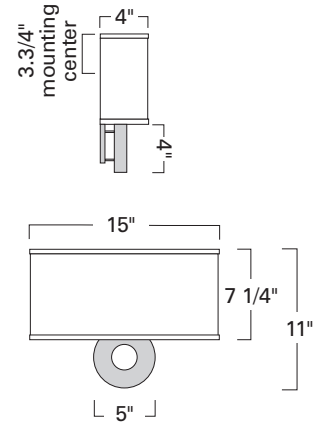


Bryant Park Double
BPK2-BA-CS

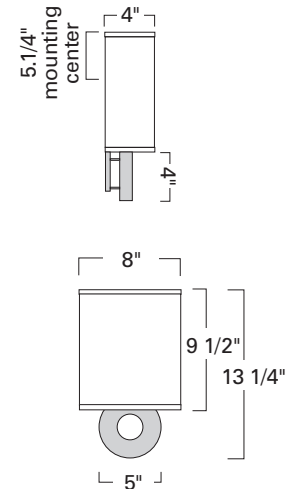


Bryant Park Single
BPK1-BA-CS

BKP2



BKP1



The City Series ADA products are available in a variety of styles and finishes.



Product Name / Model / Dimensions				Mounting Options	Diffuser Options	Finish Options	Lamping Options
Bryant Park Double Sconce / BPK2 Bryant Park Single Sconce / BPK1				Standard Wall Mount / WM Optional Solid Backplate	Standard Cream Linen Shade / CS Junction box located behind shade	Standard Architectural Bronze Powder Coat / ABPC Brushed Aluminum / BA Matte Black / MB Matte White Powder Coat / MW Polished Aluminum / PA	Standard BPK2 LED / LED 2592lm 3000K CCT, 80 CRI 36 Watts; 120v - 277v ELV dimmable (must specify 277v)
Series	Height	Width	Projection				Optional Incandescent / IN (2) 60W max candelabra E12
BPK2	11.00"	15.00"	4"				Standard BPK1 LED / LED 1296lm 3000K CCT, 80 CRI 22 Watts; 120v - 277v ELV dimmable (must specify 277v)
BPK1	13.50"	8"	4"	Optional Incandescent / IN (1) 60W max candelabra E12			

Dry Location Rated and UL/ETL Listed

Note: All finishes are now powder coat

10-2020

DISCLAIMER:

ILEX Architectural Lighting reserve the right to change specifications related to its product at anytime. USA Made indicates product is manufactured in Michigan, facility. Phone: 269-247-1252