

**Athens**  
Metro Series  
ATH

Project Name \_\_\_\_\_

Fixture Type \_\_\_\_\_

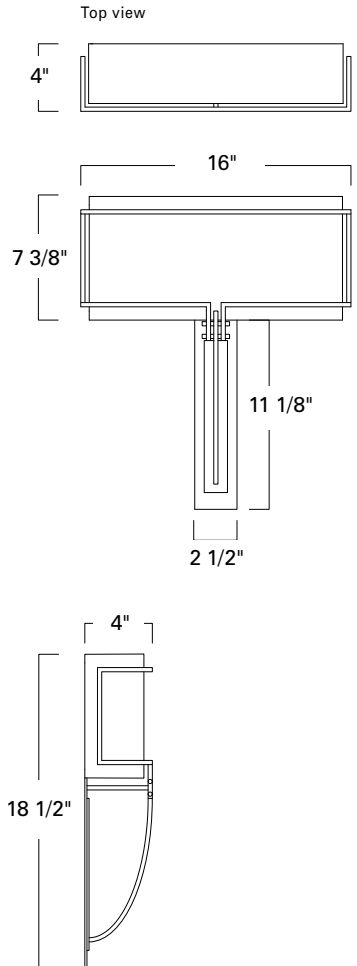
Quantity \_\_\_\_\_

**I L E X** \_\_\_\_\_



Athens  
ATH-MB-WS

ATH



**LED**

Product Name / Model / Dimensions				Finish Options	Diffuser	Lamping Options
Athens Metro Sconce - ATH				Standard Matte Black / MB Satin Brass / SB	Standard White Shade / WS	Standard LED 3000lm, 2700K CCT, 90 CRI, 36 Watt 0-10VDC; Triac; ELV dimming
	Height	Width	Projection			
ATH	18.5"	16"	4"			

Note: All finishes are now powder coat

REV-5-2022

Dry Location Rated and UL/ETL Listed

**DISCLAIMER:**

ILEX Architectural Lighting reserve the right to change specifications related to its product at anytime. USA Made indicates product is manufactured in Michigan, facility. Phone: 269-247-1252

0006ILEX